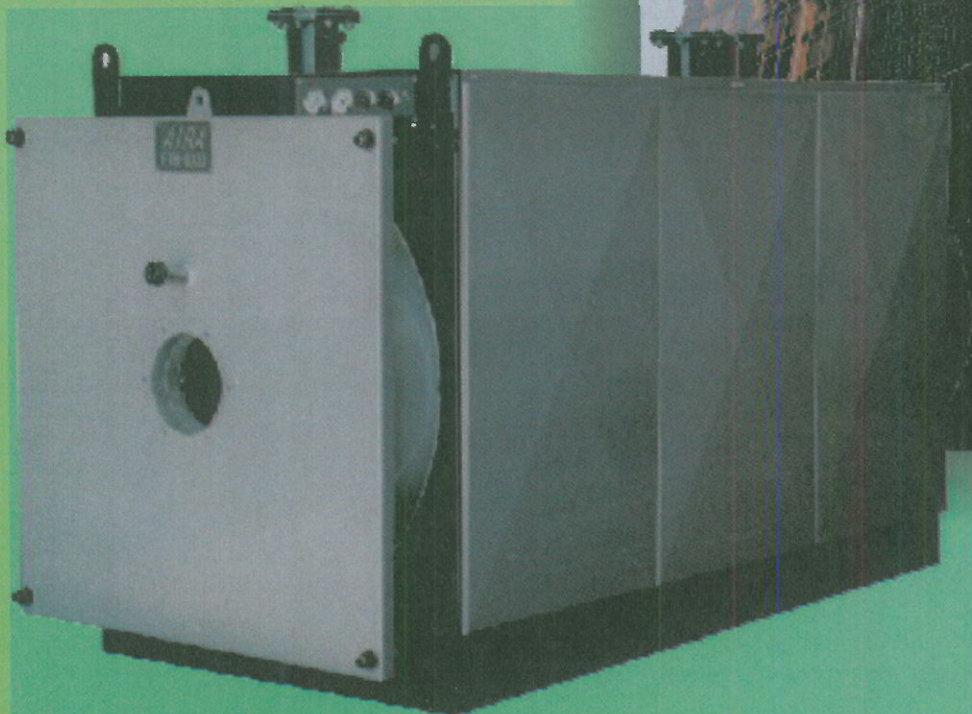


AIRA

FTB

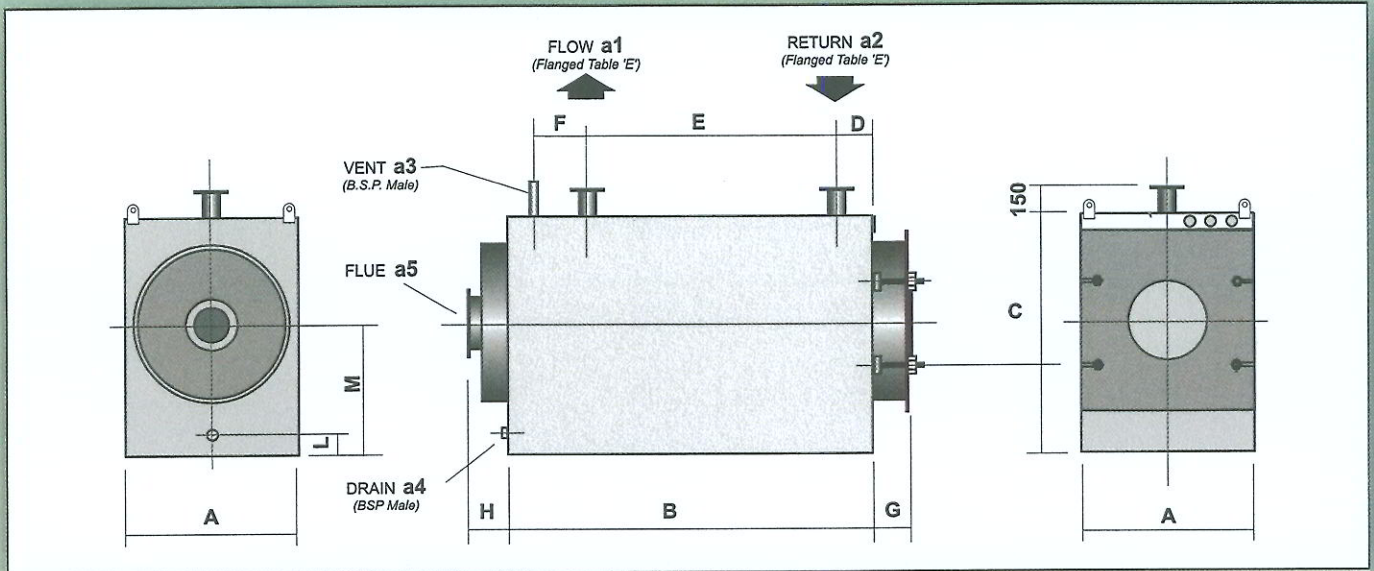
STEEL FIRE TUBE BOILERS

- Modern Wet Back Reverse Flame Design
- Suitable Oil or Gas Firing
- 500 kPa Standard Operating Pressure



 MADE IN AUSTRALIA

FTB series Fire Tube Boilers



MODEL		300	400	600	800	1000	1200	1400	1600	1800	2000	2200	2400
INPUT	(MJ/Hr)	1350	1800	2700	3600	4500	5400	6300	7200	8100	9000	9900	10800
OUTPUT	(kW)	300	400	600	800	1000	1200	1400	1600	1800	2000	2200	2400
MAX. PRESSURE	(kPa)	500	500	500	500	500	500	500	500	500	500	500	500
DESIGN FLOW	(l/s)	7.2	9.6	14.3	19.1	23.9	28.7	33.4	38.2	42.9	47.8	52.5	57.3
	ΔP (kPa)	0.76	1.46	1.48	2.56	3.33	4.04	3.42	4.21	2.67	3.14	3.62	4.10
MIN. FLOW	(l/s)	3.6	4.8	7.2	9.5	11.9	14.3	16.7	19.1	21.4	23.9	26.2	28.6
	ΔP (kPa)	0.19	0.36	0.37	0.64	0.83	1.01	0.86	1.05	0.67	0.79	0.91	1.02
DIMENSIONS	A	960	960	1070	1250	1386	1378	1470	1470	1620	1620	1620	1620
	B	1280	1600	2066	2064	2496	2604	2608	2720	2980	3036	3095	3150
	C	1225	1225	1350	1500	1640	1656	1728	1728	1900	1900	1900	1900
	D	160	160	190	198	190	196	220	220	250	250	250	250
	E	710	1030	1291	1350	1770	1895	1710	1835	1918	2034	2150	2265
	F	250	250	300	350	300	250	300	300	500	500	500	500
	G	195	195	225	270	270	270	270	270	310	305	310	310
	H	240	250	300	320	300	300	300	300	400	400	400	400
	L	159	160	144	108	129	129	111	111	166	166	166	166
M	660	660	695	760	840	838	870	870	975	975	975	975	
FLOW a1	(mm)	80	80	100	125	125	125	125	125	150	150	150	150
RETURN a2	(mm)	80	80	100	125	125	125	125	125	150	150	150	150
VENT a3	(mm)	50	50	65	80	80	80	80	80	100	100	100	100
DRAIN a4	(mm)	50	50	50	50	50	50	50	50	65	65	65	65
FLUE a5	(mm)	300	300	350	400	400	400	400	400	500	500	500	500
WATER CONTENT	(ltrs)	425	625	700	1075	1520	1435	1770	2150	2510	2500	2750	3000
DRY WEIGHT	(Kg)	950	1350	1550	2050	2176	2700	3200	3730	4250	5050	5850	6500

FEATURES

- 82%+ High Efficiency
- Modern 3-Pass Wetback Design
- Burner Options: Gas - On/Off, Hi/Lo or Modulating. Oil - On/Off or Hi/Lo
- 500 kPa Standard Operating Pressure
- Special Operating Pressures up to 1000 kPa
- Special Outputs up to 4000 kW
- **AUSTRALIAN MADE**

AIRA

PTY. LTD.
ACN 005 058 364

Specifications subject to change without notice

Victoria
144 Colchester Rd.
KILSYTH 3137 Australia
Tel: (03) 9728 5566
Fax: (03) 9761 4732
email: aira@aira.com.au

New South Wales
AIRA Pty. Ltd.
3/46 Seton Road.
MOOREBANK 2170
Tel: (02) 9822 8900
Fax: (02) 9822 8988

South Australia
AIRA Pty. Ltd.
104 Coglein Street
BROMPTON 5007
Tel: (08) 8346 5175
Fax: (08) 8340 1932

Western Australia
Applied Climate Control (WA) P/L
40 Sorbonne Cres.
CANNINGVALE 6155
Tel: (08) 9455 2466
Fax: (08) 9455 2599

Queensland
Applied Climate Control (Qld) P/L
65 Randall Street
SLACKS CREEK QLD 4127
Tel: (07) 3290 3884
Fax: (07) 3290 3994

New Zealand
Alaskon AIRA Pty. Ltd.
Unit B, 50 Keeling Rd.
HENDERSON, AUCKLAND
Tel: (09) 835 2100
Fax: (09) 835 2201